



Network

PTZ

QNP-6250R

2MP 25x IR PTZ Camera



Key Features

- Max. 2MP resolution
- 4.44~111mm (25x) lens
- Max. IR viewable length 100m (328.08ft)
- Day & Night (ICR), WDR, DIS (Built-in gyro sensor)
- Intelligent Analytics
- H.264, H.265, MJPEG codec, WiseStreamII
- Micro SD/SDHC/SDXC 1slot 256GB
- IP66, IK10, NEMA4X



QNP-6250R

2MP 25x IR PTZ Camera

Specifications

Video

Imaging Device	1/2.8" CMOS
Resolution	1920x1080, 1280x1024, 1280x960, 1280x720, 1024x768, 800x600, 800x448, 720x576, 720x480, 640x480, 640x360, 320x240
Max. Framerate	H.265/H.264: Max. 60fps/50fps(60Hz/50Hz) MJPEG: Max. 30fps/25fps(60Hz/50Hz)
Min. Illumination	Color: 0.05Lux(F1.6, 1/30sec) BW: 0Lux(IR LED On)

Lens

Focal Length (Zoom Ratio)	4.44~111mm(25x) zoom
Max. Aperture Ratio	F1.6(Wide)~F3.9(Tele)
Angular Field of View	H: 64.66(Wide)~2.99(Tele) / V: 38.08(Wide)~1.68(Tele)
Min. Object Distance	Wide: 1.5m(4.92ft), Tele: 2m(6.56ft)
Focus Control	Oneshot AF
Lens Type	DC auto iris

Pan / Tilt / Rotate

Pan Range	360 Endless
Pan Speed	Preset: 700/sec, Manual: 0.024/sec~250/sec
Tilt Range	110(-20~90)
Tilt Speed	Preset: 300/sec, Manual: 0.024/sec~250/sec
Sequence	Preset(300ea), Swing, Group(6ea), Trace, Tour, Auto Run, Schedule
Preset Accuracy	±0.2 (±20°C by temperature at preset setting)

Operational

Camera Title	Displayed up to 85 characters
Direction Indicator	Support
Day & Night	Auto(ICR)
Backlight Compensation	BLC, HLC, WDR, SSSR
Wide Dynamic Range	120dB
Digital Noise Reduction	SSNR V
Digital Image Stabilization	Support(built-in gyro sensor)
Defog	Support
Motion Detection	8ea, 8point polygonal zones
Privacy Masking	32ea, Quadrangle Support - Color: Grey/Green/Red/Blue/Black/White - Solid/Mosaic
Gain Control	Low / Middle / High
White Balance	ATW / AWC / Manual / Indoor / Outdoor / Mercury / Sodium
Electronic Shutter Speed	Minimum / Maximum / Anti flicker (2~1/12,000sec)
Video Rotation	Flip, Mirror
Analytics	Directional detection, Motion detection, Enter/Exit, Tampering, Virtual line * Audio detection(with NW I/O Box)
Alarm Triggers	Analytics, Network disconnect * Alarm input(with NW I/O Box)

Alarm Events	File upload via FTP and e-mail Notification via e-mail SD/SDHC/SDXC or NAS recording at event triggers PTZ Preset Handover * Alarm output(with NW I/O Box)
IR Viewable Length	100m(328.08ft)

Network

Ethernet	Metal shielded RJ-45(10/100BASE-T)
Video Compression	H.265/H.264,MJPEG
Smart Codec	Manual(5ea area), WiseStream II
Bitrate Control	H.264/H.265: CBR or VBR MJPEG: VBR
Streaming	Unicast(20 users) / Multicast (128 user) Multiple streaming(Up to 10 profiles)
Protocol	IPv4, IPv6, TCP/IP, UDP/IP, RTP(UDP), RTP(TCP), RTCP,RTSP, NTP, HTTP, HTTPS, SSL/TLS, DHCP, FTP, SMTP, ICMP, IGMP, SNMPv1/v2c/v3(MIB-2), ARP, DNS, DDNS, QoS, PIM-SM, UPnP, Bonjour, LLDP, SRTSP
Security	HTTPS(SSL) Login Authentication Digest Login Authentication IP Address Filtering User access log 802.1X Authentication(EAP-TLS, EAP-LEAP)
Application Programming Interface	ONVIF Profile S/G/T SUNAPI(HTTP API) Wisenet open platform

General

Webpage Language	English, Korean, Chinese, French, Italian, Spanish, German, Japanese, Russian, Swedish,, Portuguese, Czech, Polish, Turkish, Dutch, Hungarian, Greek
Edge Storage	Micro SD/SDHC/SDXC 1slot 256GB
Memory	1024MB RAM, 256MB Flash

Environmental & Electrical

Operating Temperature / Humidity	Normal : -35°C~+55°C(-31°F ~ +131°F) / +74°C/+165°F (MAX) based on NEMA-TS 2(2.2.7) * Start up should be done at above -30°C Less than 95% RH(Non-condensing)
Storage Temperature / Humidity	-50°C~+60°C (-58°F~+140°F) / Less than 90% RH(Non-condensing)
Certification	IP66, IK10, NEMA4X
Input Voltage	PoE+(IEEE802.3at, Class4)
Power Consumption	Typ.14.7W, Max.25.5W Camera only

Mechanical

Color / Material	Body : White / Aluminum Head : Black / Polycarbonate Hard-coated dome
RAL Code	RAL9003
Product Dimensions / Weight	Ø158x293.3mm / 3.1Kg

DORI (EN62676-4 standard)

Detect (25PPM/ 8PPF)	Wide: 60.7m(199.1ft) / Tele: 1471.3m(4827.2ft)
Observe (63PPM/ 19PPF)	Wide: 24.3m(79.6ft) / Tele: 588.5m(1930.9ft)
Recognize (125PPM/ 38PPF)	Wide: 12.1m(39.8ft) / Tele: 294.3m(965.4ft)
Identify (250PPM/ 76PPF)	Wide: 6.1m(19.9ft) / Tele: 147.1m(482.7ft)

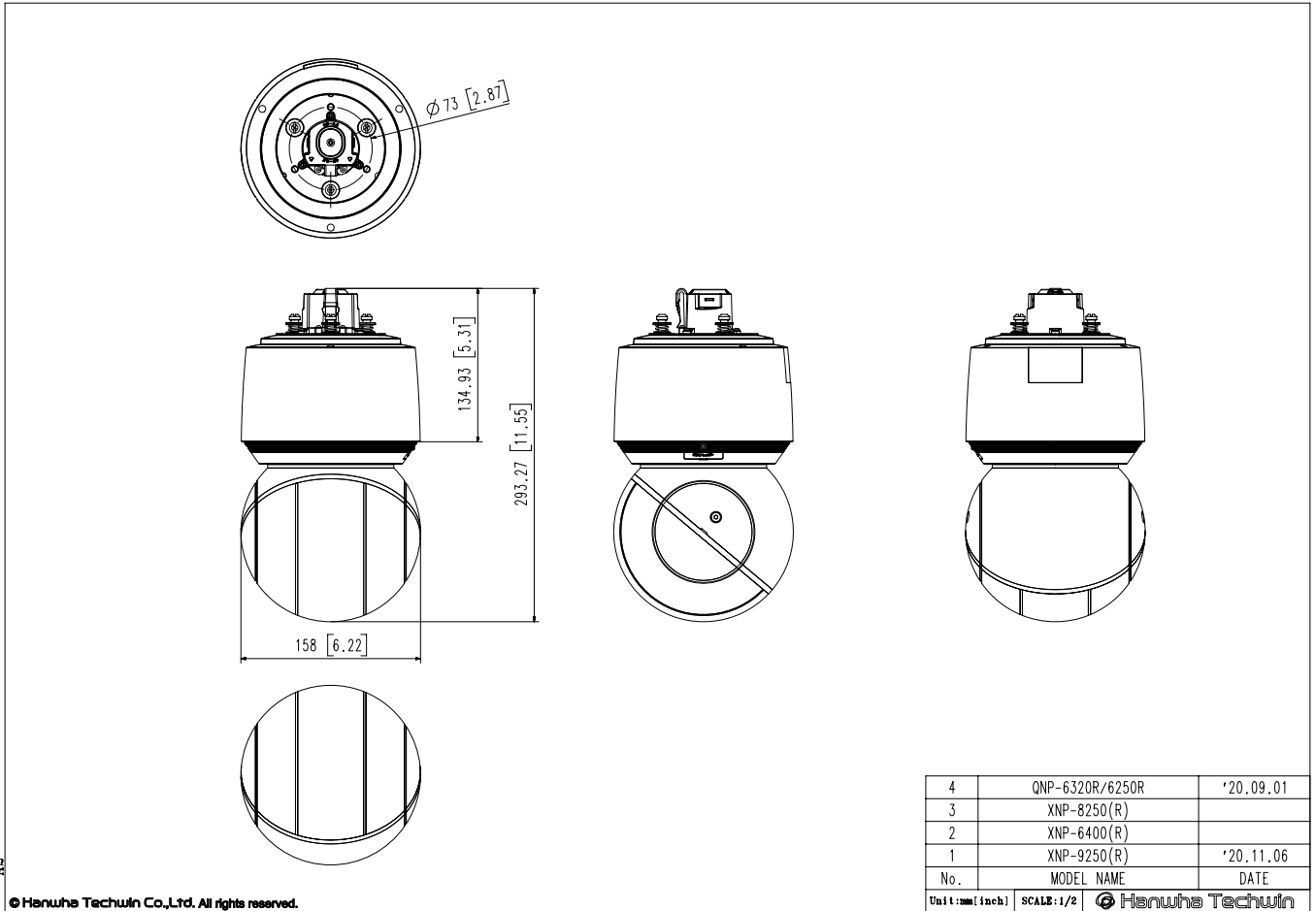
QNP-6250R

2MP 25x IR PTZ Camera



CAD

Unit: mm [inch]



A2

© Hanwha Techwin Co., Ltd. All rights reserved.